

PRODUCT  
**SZ240**

DESCRIPTION  
**TWO-CHANNEL POWER AMPLIFIER**

SERIES  
**SZ**

CATEGORY  
**AMPLIFIERS**



**GENERAL DESCRIPTION**

The Samson SZ240 is a two rack-space, two-channel industrial power amplifier for distributed power applications. The SZ240 is capable of delivering 120 Watts RMS output per channel at 4 ohms or 80 Watts per channel at 8 ohms, but can also run at 70 or 100 volts thanks to the high performance internal toroidal matching transformers.

The SZ series amplifiers feature Class D power cores, peak and protect metering along with a front panel level control and a security panel. The universal power supply operates from 100 – 240 volts at 50 or 60 Hz and has a power correction control circuit to adjust the incoming power so the amplifier always delivers peak performance. Intense power supply filtering at high and low frequencies keeps noise out and pristine audio quality in. And to insure maximum flexibility, the SZ series includes Euro block input and output connectors for all connections. The convenient, 2-rack space steel enclosure can be easily mounted in a standard 19-inch rack. The SZ series' advanced technology, clear sound, lightweight and reliable performance makes them ideal for any distributed sound system installation.

**FEATURES**

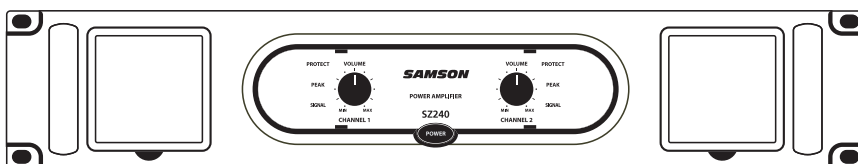
- > Class D Power Amplifier with very low power dissipation
- > Lightweight

- > Highly efficient
- > Constant Voltage Output (70V, 100V, and 4/8 ohms)
- > Universal Power Supply voltage range (AC100V~240V) with PFC power supply
- > Over Current Protection
- > Over Temperature Protection
- > Power supply protection (over voltage, under voltage, unbalanced voltage)
- > Easy installation with EURO block terminals
- > Built-in voltage limiters for each channel with DIP switches

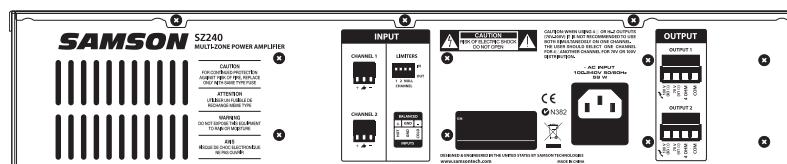
**ARCHITECT'S & ENGINEER'S SPECIFICATIONS**

The Samson SZ240 shall be a two rack space, two channel power amplifier. It shall deliver 2 x 120 watts into 4 ohm loads or 2 x 80 watts into 8 ohm loads or operate as a 70/100 volt sound distribution amplifier using the internal toroidal transformers. It shall have front panel volume controls, power switch, signal present and peak indicators behind the included security cover. The rear panel shall have Euroblock connectors for all inputs and outputs. The rear panel shall have limiter switches to engage the operation of the limiters. The amplifier shall have a universal switching power supply to operate from 100V~240V with voltage stabilization circuits and be fan cooled. The amplifier shall receive AC power through a standard IEC connector.

FRONT PANEL



BACK PANEL



**PRODUCT SPECIFICATION SHEET**



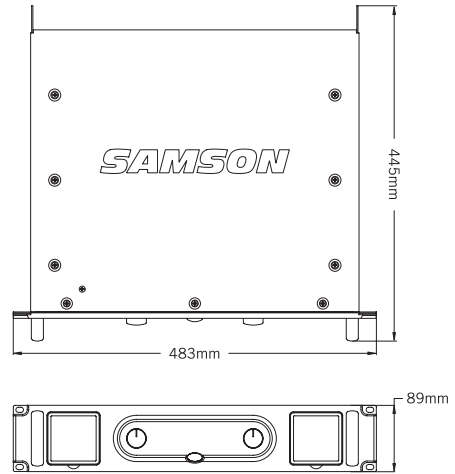
SERIES  
**SZ**

DESCRIPTION  
**TWO-CHANNEL POWER AMPLIFIER**

CATEGORY  
**AMPLIFIERS**

**SZ240 SPECIFICATIONS**

- Input Sensitivity**  
(Balanced Line Input) ..... 1.0+0.2Vrms/10Kohm
- Maximum Input** ..... +22 dBu
- Output Power** ..... 120 watts x 4 @ 4 ohms
- Frequency Response** (50Hz~18kHz) ... +1.5/-3dB
- Dynamic Range** ..... >90 dB A-weighted, typical
- THD+N** (AES 17 20kHz brickwall filter, Rater output) ..... Less than 5%
- Rated Output** (THD+N 5%)..... ≥120 Watts
- S/N Ratio**  
(AES 17 20kHz brickwall filter)..... ≥90dB
- Residual Noise**  
(AES 17 20kHz brickwall filter)..... ≤ -70dB
- AC Mains** ..... 100 to 240 VAC ±10%,  
50 or 60 Hz
- Construction**..... All Steel
- Transformer Rating**..... 120 Watts
- Input Voltage** ..... 28.28 Vrms 100 watts / 8Ω
- Output Tap 1: Voltage**..... 70.7 Vrms 50Ω load
- Output Tap 2: Voltage** ..... 100 Vrms 100Ω load
- Output Tap 3: Voltage** ..... 20 Vrms 4Ω load
- Connectors**..... Euroblock



**BLOCK DIAGRAM**

